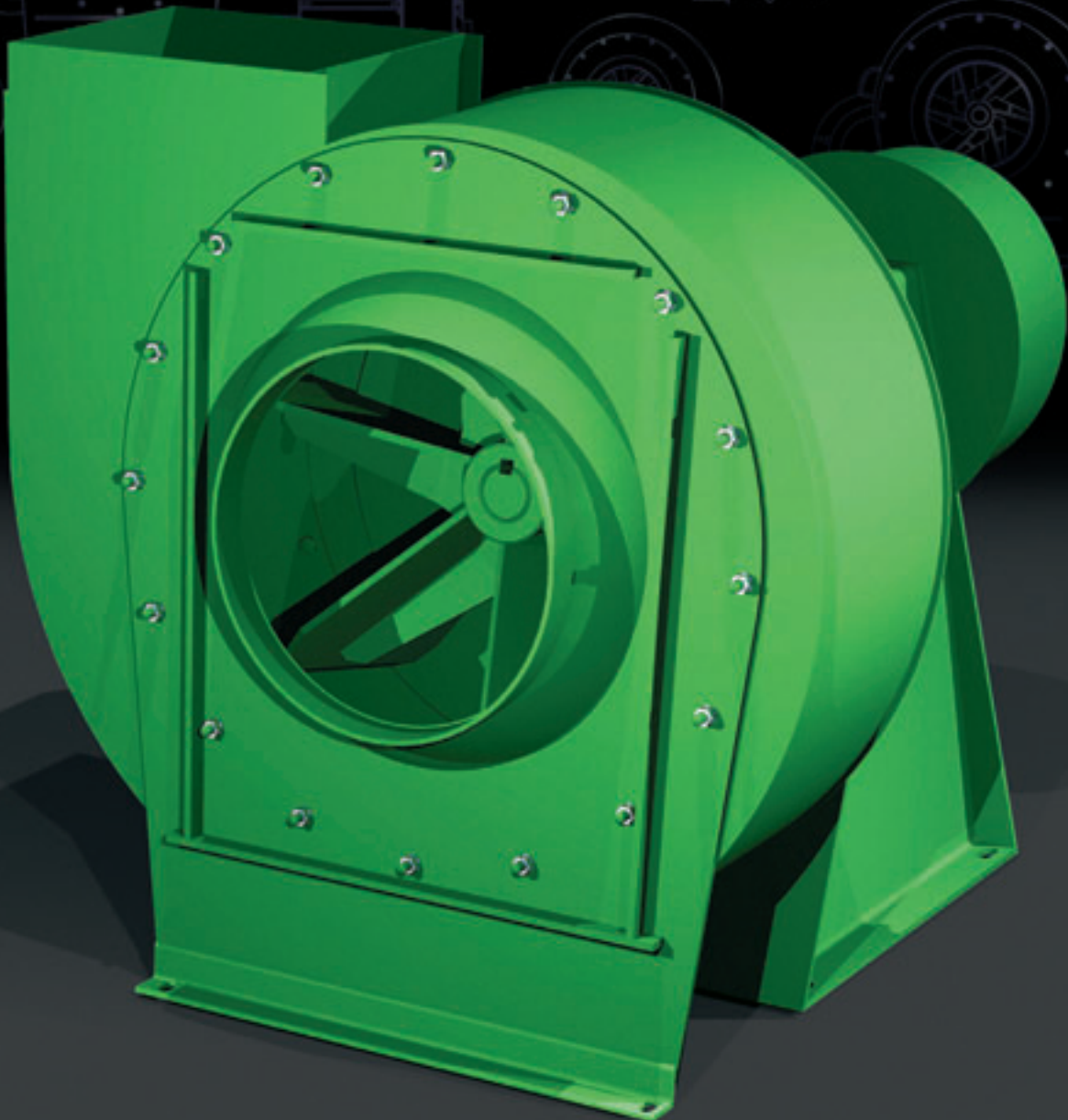


**BloApCo**<sup>®</sup>

Material  
Handling Fans

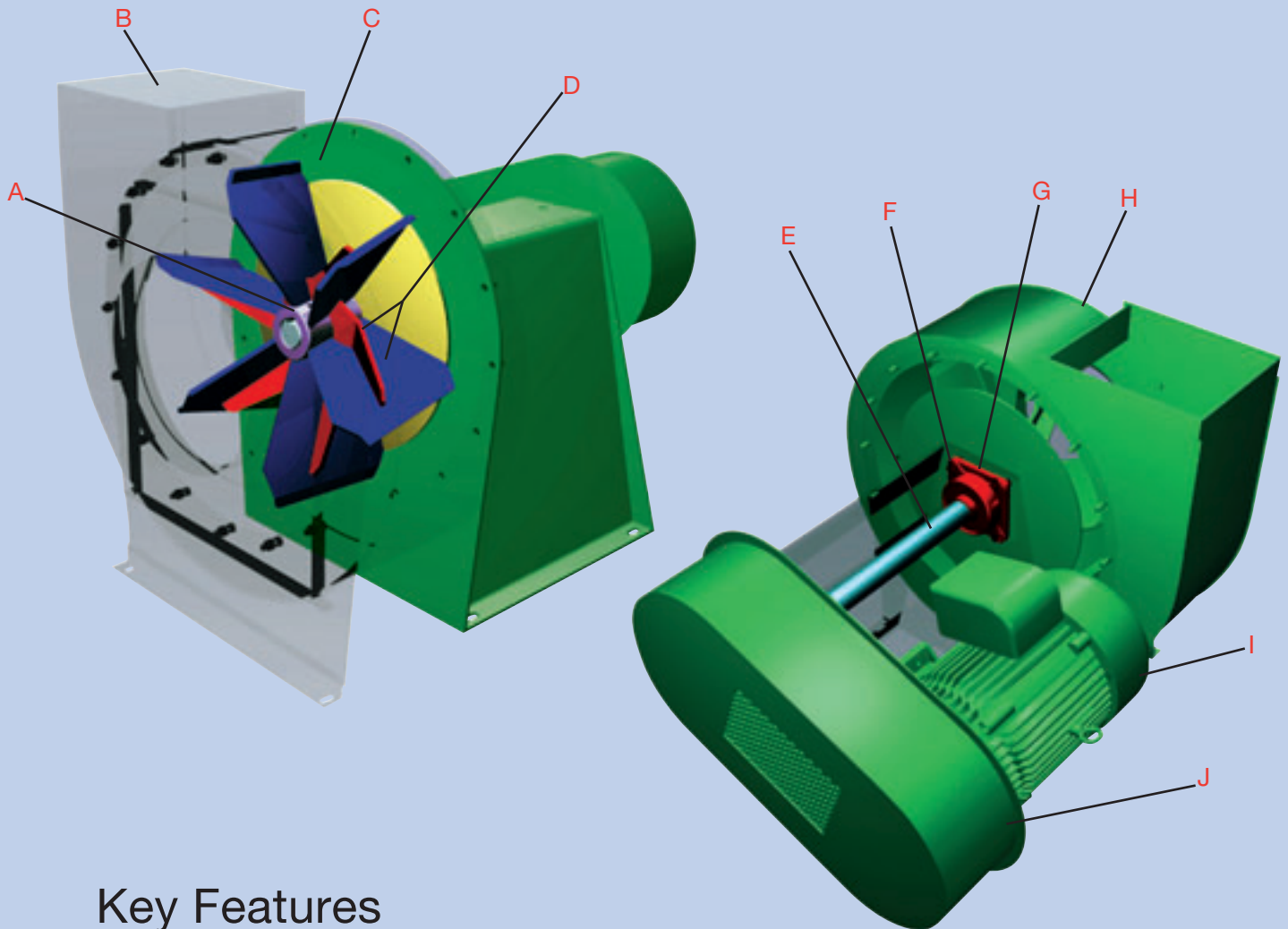
*Put 'em in  
and forget 'em!*<sup>®</sup>



The Leader in Pneumatic Scrap  
Removal Systems for Converting  
and Manufacturing Applications

Bulletin 011

## Key Features



## Key Features

**A Oversized hub**

**B Rotating outlet**

- 360° at 22.5° increments.

**C Special fan wheel design**

- All-continuous welded construction.
- Certified, dynamically balanced and stress-relieved.
- Non-clogging, with flared inlet, tapered fan blade and supporting back plate.

**D Special heavy-duty blades**

- Angular blade construction adds efficiency.
- One-piece spider gusset adds strength.

**E Oversized chrome steel – centerless ground shaft**

- Eliminates shaft deflection under heavy loading.
- Insures close tolerance between fan shaft, bearings and fan wheel.

**F Heavy-duty flanged bearings**

- For long life.
- Heavy surge loading.

**G Unique shaft mount**

- Allows placement of the bearings close to the wheel and drive pulley, reducing overhung bearing and shaft stress.
- Details on facing page.

**H Exterior continuous welded fan housing**

- Provides years of extended trouble-free operation.

**I Integral fan pedestal/motor mounting**

- Arrangement 9.

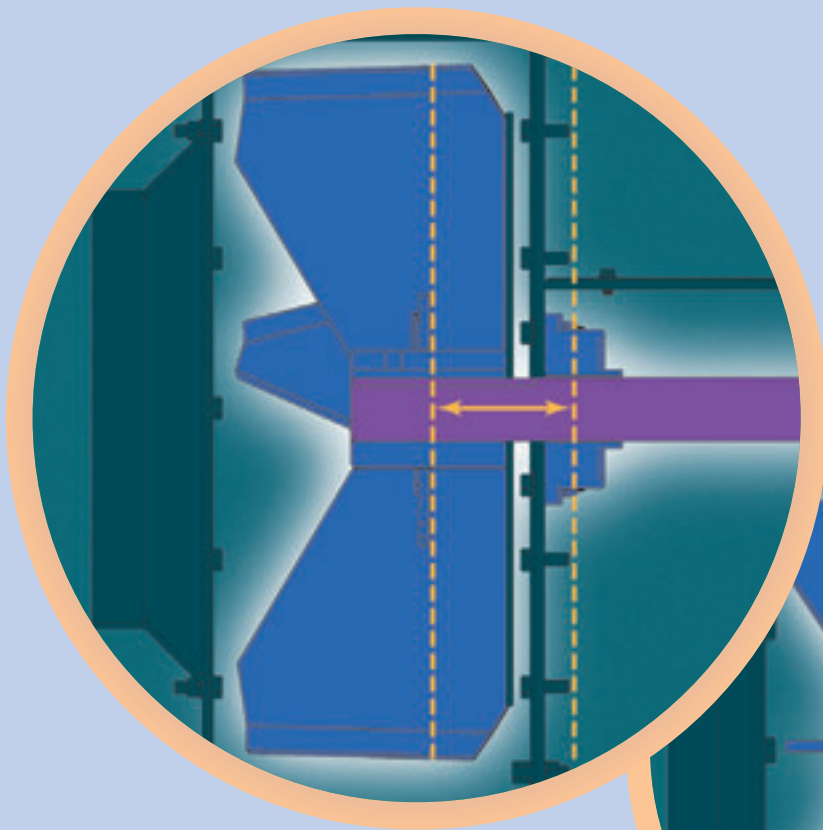
**J OSHA approved belt guard**

## Unique Shaft Mount

### Our Unique Shaft Mount

*The key to BloApCo efficiency and dependability*

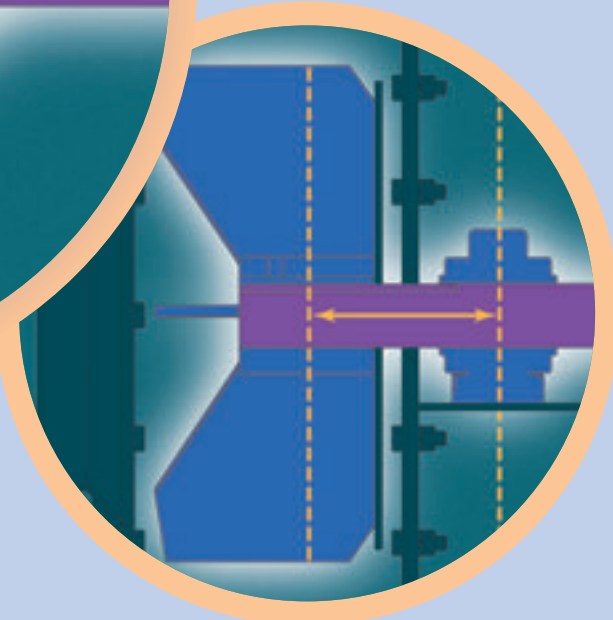
***BloApCo's low overhung load =  
low shaft stress & long bearing life***



***Other fans' high overhung load =  
high shaft stress & short bearing life***

At the heart of BloApCo design excellence is a unique shaft mount that outperforms and outlasts anything else in the industry. It's a simple fact – a fan with a low overhung load performs more smoothly and lasts longer. It all adds up:

- Pedestal-mounted motor design extends V-belt life, keeping motor and fan shafts in close, rigid relationship.
- Flanged bearings allow close placement of inside bearing to reduce overhung wheel load.
- Oversized shaft diameter.
- Oversized hub.
- Heavy-duty, long-life bearings.
- All continuous welded construction.
- Certified, dynamically balanced fan wheel.
- Back plate prevents clogging.



■ 4-bolt radial flange bearing provides excellent radial support when fan is conveying heavy offset loads. Pillow block bearings only provide stability in one direction.

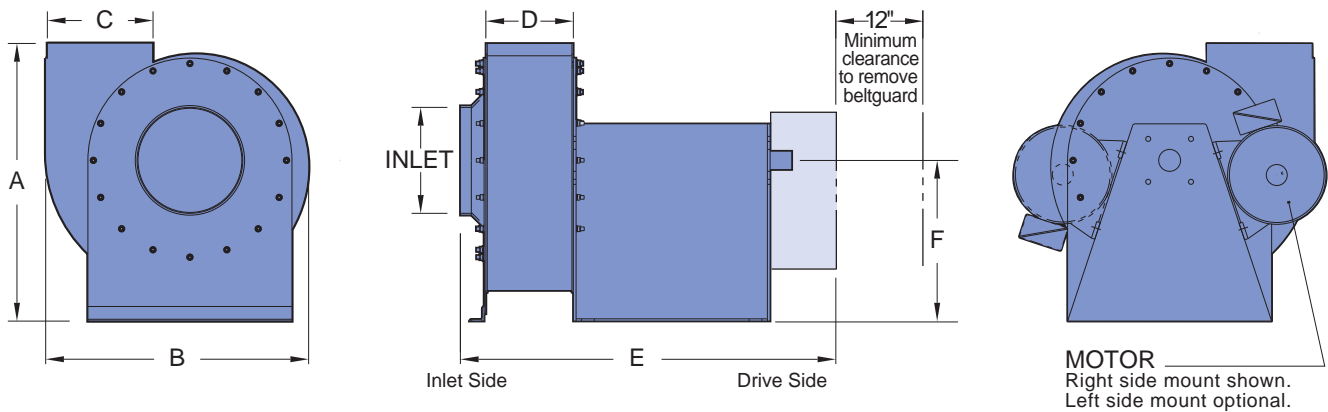
■ The 4-bolt flange bearing provides a shaft seal where the shaft passes through the housing. Pillow block bearings cannot provide this seal.

# Fan Dimensions

The chart and diagrams below give general specifications on all available models.

	Model	A	B	Outlet		Inlet	E	F	Shaft Dia.	CFM	Weight
				C	D						
<b>Trim Fans</b>	15-4*	22 5/8" 575 mm	19" 483 mm	7" 178 mm	4 13/16" 122 mm	7 1/2" 191 mm	28 1/8" 715 mm	13" 330 mm	1 3/16" 30 mm	1,200 cfm 2,039 m³/h	125 lbs 57 Kg
	25-4*	27 1/2" 699 mm	28 5/16" 719 mm	9" 229 mm	9" 229 mm	10" 254 mm	36" 914 mm	16" 406 mm	1 11/16" 43 mm	3,000 cfm 5,100 m³/h	285 lbs 129 Kg
<b>Heavy Duty Fans</b>	25-2*	30" 762 mm	28 7/8" 733 mm	11 1/2" 292 mm	9 1/2" 241 mm	11 5/8" 295 mm	45 1/2" 1156 mm	17" 432 mm	2 3/16" 56 mm	4,000 cfm 6,796 m³/h	410 lbs 186 Kg
	30-2*	34" 864 mm	33 5/8" 854 mm	13 1/2" 343 mm	11" 279 mm	13 3/4" 349 mm	49 1/4" 1257 mm	19" 483 mm	2 7/16" 62 mm	6,000 cfm 10,194 m³/h	500 lbs 227 Kg
	35-2*	38" 965 mm	36 1/8" 918 mm	14 1/2" 368 mm	12" 305 mm	14 1/2" 368 mm	51 1/8" 1299 mm	22" 559 mm	2 7/16" 62 mm	7,000 cfm 11,893 m³/h	635 lbs 288 Kg
	40-2*	42" 1067 mm	41 1/4" 1048 mm	16 1/2" 419 mm	13 1/2" 343 mm	16 1/2" 419 mm	53 1/4" 1353 mm	24" 610 mm	2 7/16" 62 mm	8,000 cfm 13,592 m³/h	850 lbs 386 Kg
	45-2*	46 1/2" 1181 mm	46 3/8" 1178 mm	18 1/2" 470 mm	15" 381 mm	18 1/2" 470 mm	54 3/4" 1391 mm	26 1/2" 673 mm	2 15/16" 75 mm	11,000 cfm 18,689 m³/h	975 lbs 442 Kg
	50-2*	52 1/2" 1334 mm	51 7/8" 1318 mm	20 1/2" 521 mm	17" 432 mm	20 1/2" 521 mm	59 3/4" 1518 mm	30" 762 mm	3 7/16" 87 mm	14,000 cfm 23,786 m³/h	1,400 lbs 635 Kg
	55-2*	57" 1448 mm	57 7/8" 1470 mm	23" 584 mm	19" 483 mm	23 1/2" 597 mm	61 7/8" 1565 mm	32" 813 mm	3 7/16" 87 mm	17,000 cfm 28,883 m³/h	1,600 lbs 726 Kg
60-2*	62 1/2" 1588 mm	64 3/16" 1630 mm	25 1/2" 648 mm	21" 533 mm	25 1/2" 648 mm	63 7/8" 1622 mm	35" 889 mm	3 7/16" 87 mm	22,000 cfm 37,378 m³/h	1,850 lbs 839 Kg	

\*For more detailed measurement and specification information, refer to the Tech Sheet corresponding to the model number (i.e. Tech Sheet 15-4, Tech Sheet 25-2, etc.) or visit our website at [bloapco.techsheets](http://bloapco.techsheets).



N114 W19125 Clinton Dr.  
 PO Box 279 • Germantown, WI  
 53022-0279 • 800-959-0880  
 e-mail: [sales@bloapco.com](mailto:sales@bloapco.com)  
[www.bloapco.com](http://www.bloapco.com)