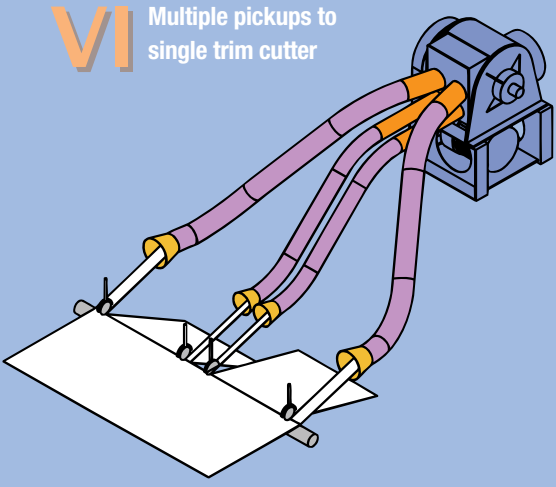
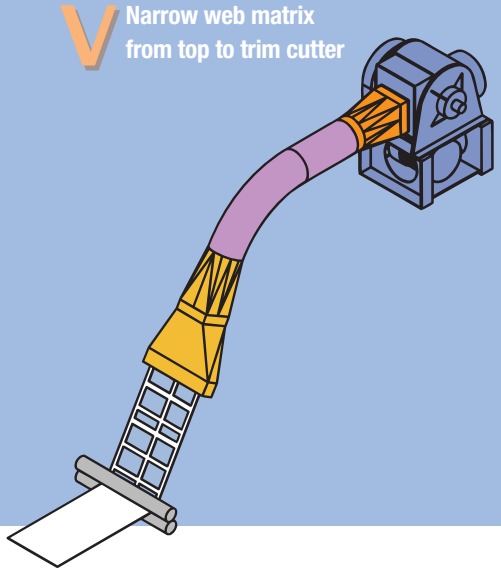
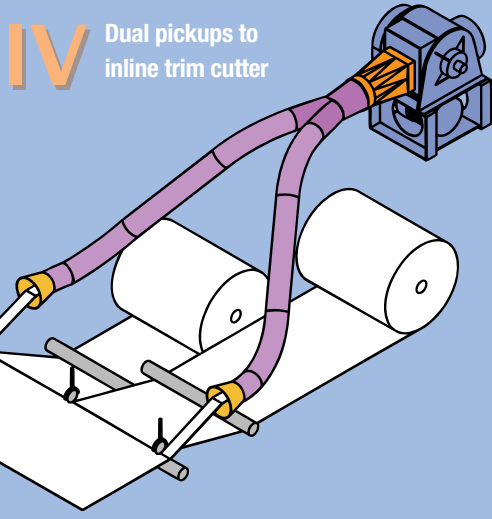
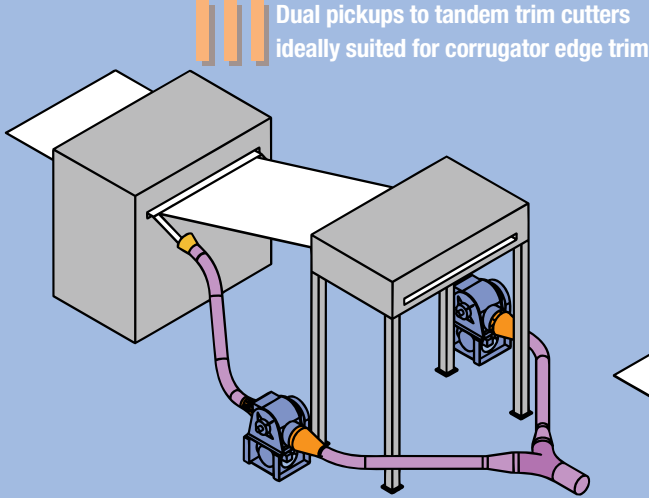
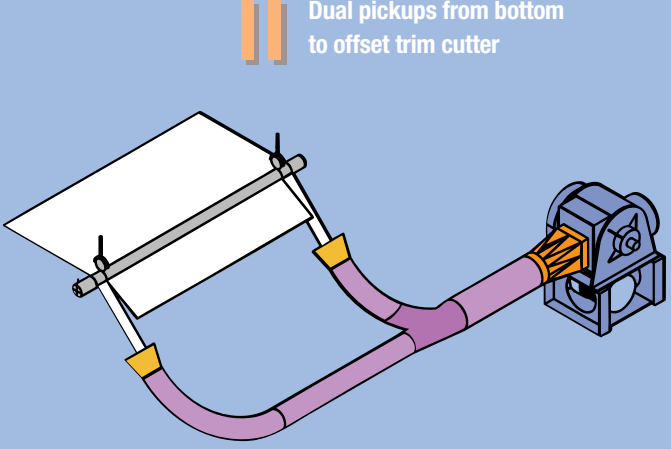
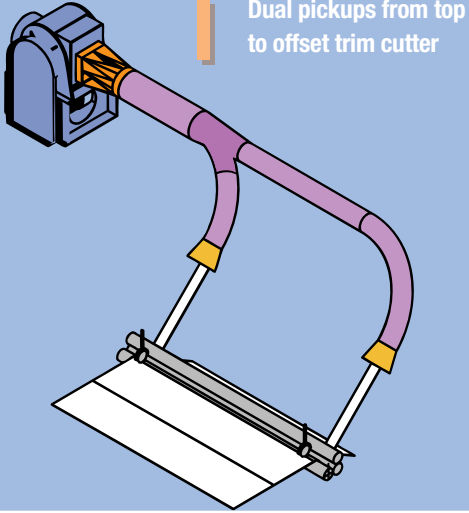
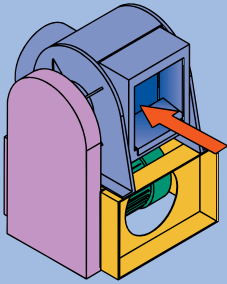


# Trim Removal

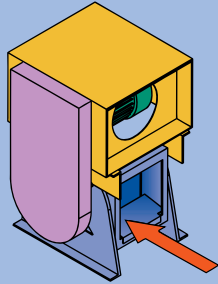


# Arrangements

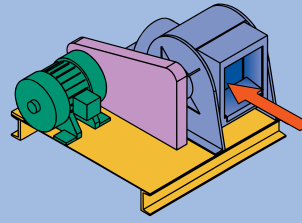
## Motor Positions



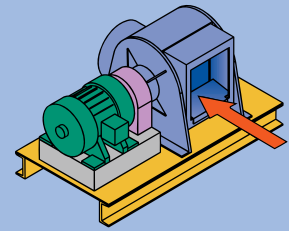
**A** Standard Cutter Arrangement



**B** Inverted Mount

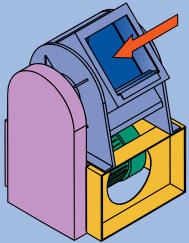


**C** Outboard Motor Mount

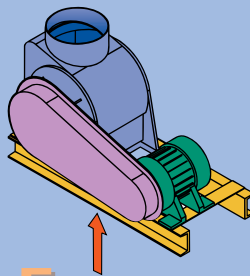


**D** Direct Drive Motor Mount

## Cutter Head Positions\*

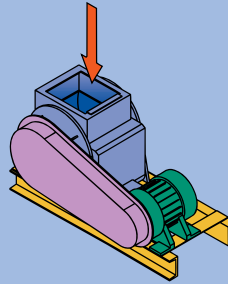


**E** Diagonal Flow, Standard Mount

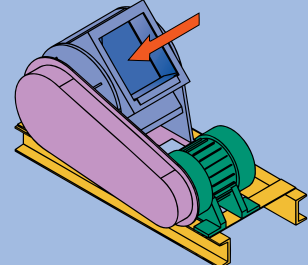


**F** Vertical Up Flow

\* Availability varies with cutter model.

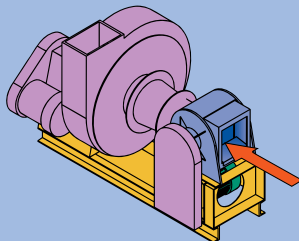


**G** Vertical Down Flow

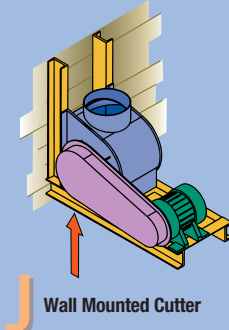


**H** Diagonal Flow, Inboard Motor Mount

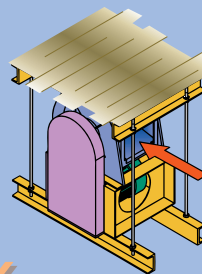
## Cutter Mounting Arrangements



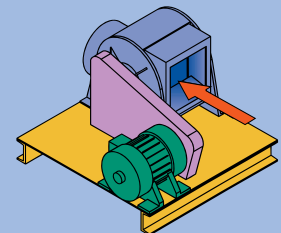
**I** Rail Mounted Cutter and Trim Fan



**J** Wall Mounted Cutter



**K** Ceiling Suspended Cutter



**L** Low Clearance Cutter Mount

Please answer the following to help us design the optimum system for your application:

- The type and number of your production machines:
- The type of trim material, including width, thickness (caliper) and density (basis weight):
- Production machine line speed:
- Number of trim pickup points:
- Distance to scrap collection area:
- Select Trim Removal type from opposite page (I - VI):
- Select Trim Cutter Arrangement from above (A - L):


## BloApCo Trim Collection Components

Selection and placement of the various trim collection components dramatically impact a trim system's performance. Proper design and manufacture of trim system components are essential for the efficient conveyance of material from the production machinery to the trim cutter.



## BLOWER APPLICATION COMPANY, INC.

N114 W19125 Clinton Dr.  
 PO Box 279 • Germantown, WI  
 53022-0279 • 800-959-0880  
 e-mail: sales@bloapco.com  
 www.bloapco.com