

## MATERIAL HANDLING FAN

### Model 60-2

For more information about other BloApCo Fan models, see Bulletin 011.

#### Key Features

##### Oversized hub

##### Rotating outlet

- 360° at 22.5° increments.

##### Special fan wheel design

- All-continuous welded construction.
- Certified, dynamically balanced and stress-relieved.
- Non-clogging, with flared inlet, tapered blade and supporting back plate.

##### Special heavy-duty blades

- Angular blade construction adds efficiency.
- One-piece spider gusset adds strength.

##### Oversized chrome steel – centerless ground shaft

- Eliminates shaft deflection under heavy loading.
- Insures close tolerance between fan shaft, bearings and fan wheel.

##### Heavy-duty flanged bearings

- For long life.
- Heavy surge loading.

##### Unique shaft mount

- Allows placement of the bearings close to the wheel and drive pulley, reducing overhung bearing and shaft stress.

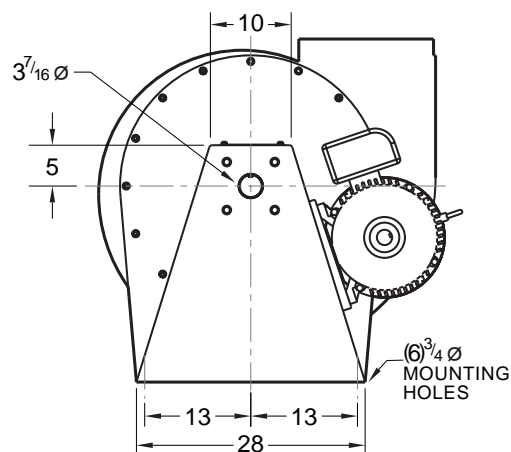
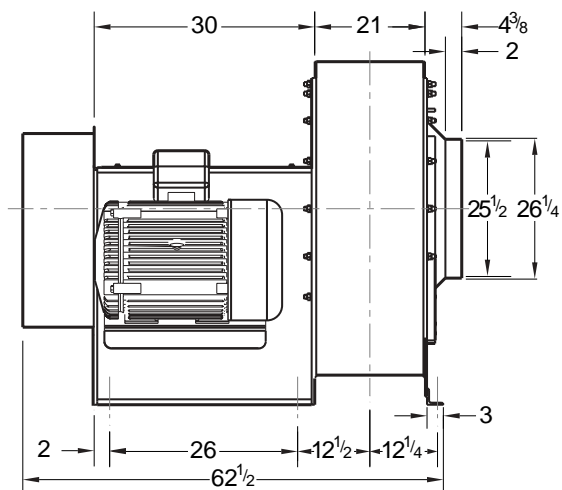
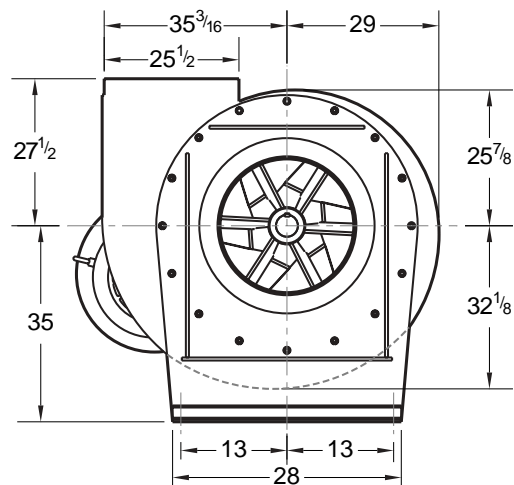
##### Exterior continuous welded fan housing

- Provides years of extended trouble-free operation.

##### Integral fan pedestal/motor mounting

- Arrangement 9.

##### OSHA approved belt guard



All dimensions are submittal data only, and subject to change without notice. Do not use for construction unless BloApCo certified.



**Blower Application Company**

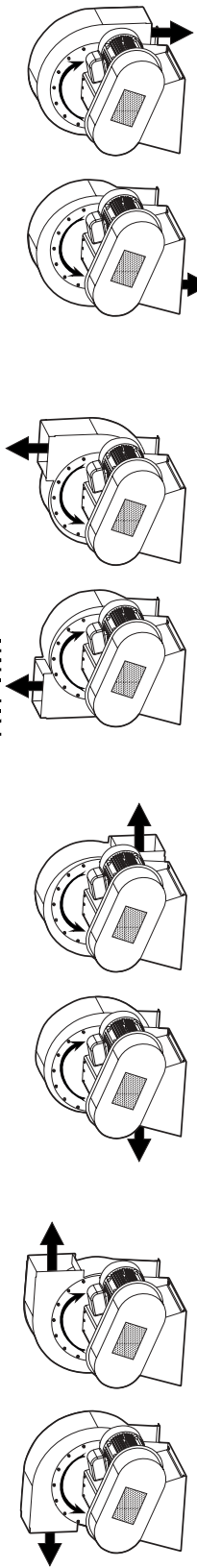
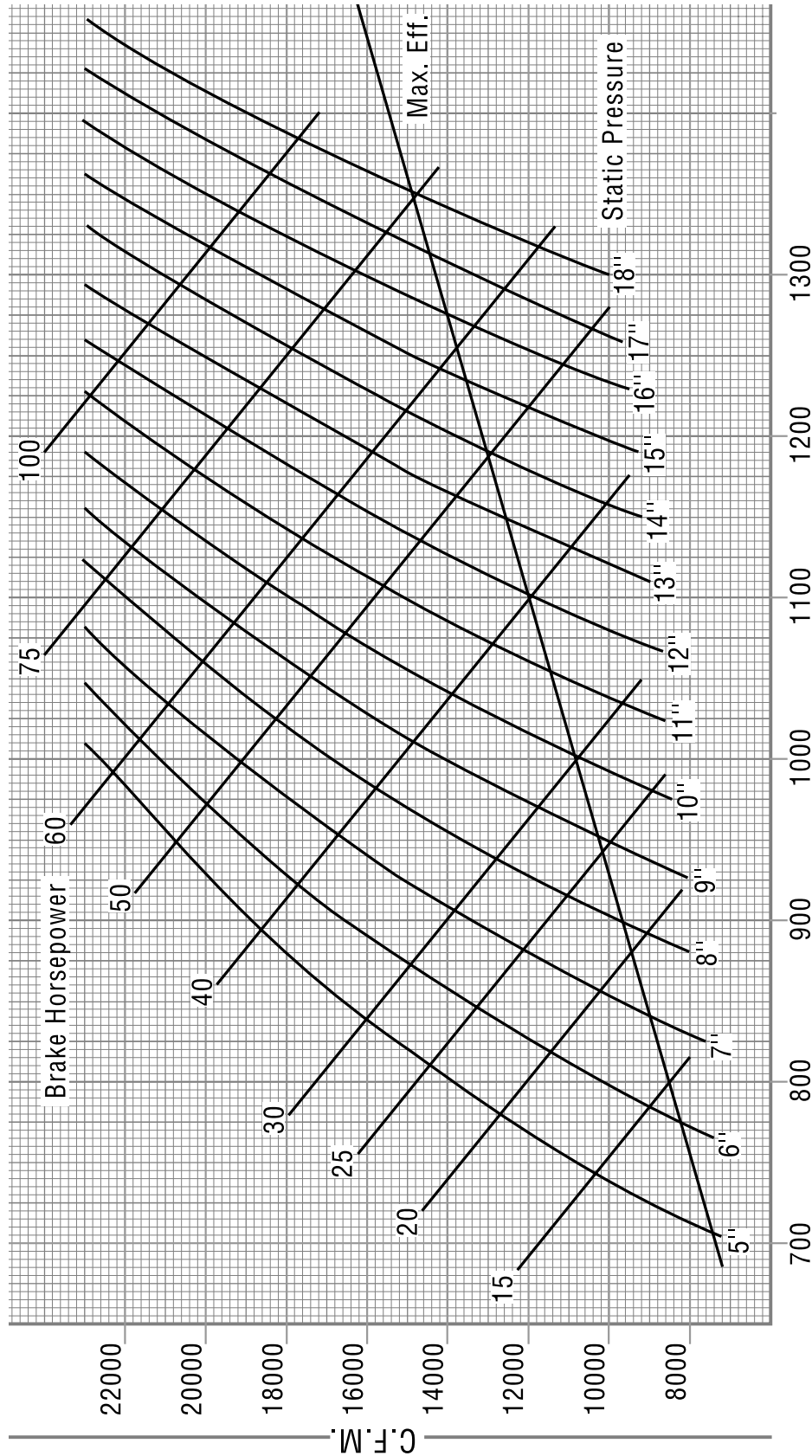
N114 W 19125 Clinton Drive • P.O. Box 279 • Germantown, WI 53022-0279 • 800.959.0880 • 262.255.5580 • FAX: 262.255.3446 • bac@bloapco.com • bloapco.com

# Performance Curve

# Model 60-2

NOTE: This curve is extrapolated from tabular data of similar radial blade fans and is not based on actual performance tests of this particular fan.

Wheel Diameter: 43<sup>3</sup>/<sub>4</sub>" Shaft Diameter: 3<sup>7</sup>/<sub>16</sub>" Outlet Area: 3.599 Sq.Ft. Inlet Area: 3.547 Sq.Ft. Max RPM: 1300



For more information about other BloApCo Fan models, see Bulletin 011.