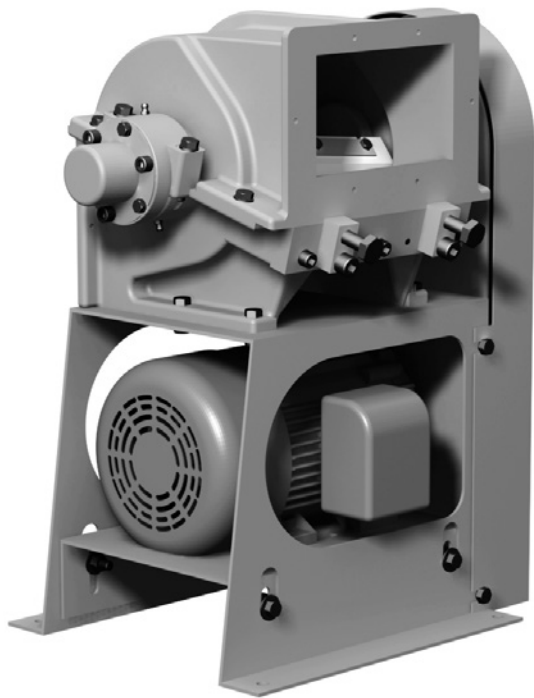


# TRIM CUTTER

## Model 7-9

For more information about this model, see Bulletin 991.



### SHEAR-CUT ACTION FOR PAPER AND TOUGH, THIN FILM AND FOIL

#### Top Performance

Model 7-9 offers proven BloApCo design with new, innovative maintenance and operating features to achieve higher performance and economy. Driven by a 1 hp electric motor, the 7-9 is capable of accurately and consistently cutting films as thin as 0.00025". Varied knife profiles make short work of light paper, plastic film and foil trim up to 7.5" (191mm) wide. Wear-resistant HCHC, NEOR and carbide knives can be arrayed to match slitting equipment, reducing multiple ribbons of trim, depending on weight and thickness, for pneumatic conveying, baling, disposal or recycling.

#### Precise Operation

Cutting with one stationary bed knife and two rotating knives, the 7-9 makes two cuts per revolution at speeds from 500 to 3,600 rpm, and passes 1,000 cfm of air at a static pressure loss of 2.0" wg. The split-housing feature permits easy access to the cutting blades, permitting quick removal for sharpening and "in-body" rotor grinding. Class "00" tapered roller bearings eliminate endplay and runout problems, while the open rotor design allows fast, free flow of cut material through the cutter housing.

#### Easy Installation

Installation of a Model 7-9 trim cutter is quick and simple: The cutter is factory-tested, tailored to your application, and shipped completely assembled and ready to run.

### CAPABILITIES

#### Materials

Paper, plastic film and foil trim

#### Trim Width max

7.5" (191 mm)

#### Caliper Range

0.25 mil to 20 mil  
0.00025" to 0.02000"  
0.0064 mm to 0.508 mm

#### Air Capacity

1,000 cfm 1,700 m<sup>3</sup>/hr

#### Static Pressure Loss

2.0" wg @ 5,000 fpm air velocity

#### Drive

V-Belt or Direct Drive

#### Cutting Action

Shear

#### Rotor speed

500 to 3,600 rpm

#### Weight

135 lbs (61 kg) with motor

#### Dimensions

L x W x H: 17" x 13<sup>1</sup>/<sub>4</sub>" x 22<sup>1</sup>/<sub>2</sub>"  
(431.8 mm x 336.5 mm x 571.5 mm)

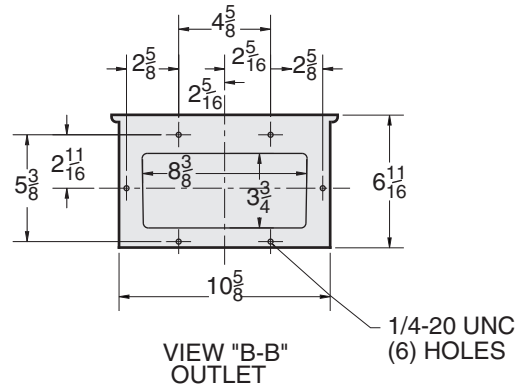
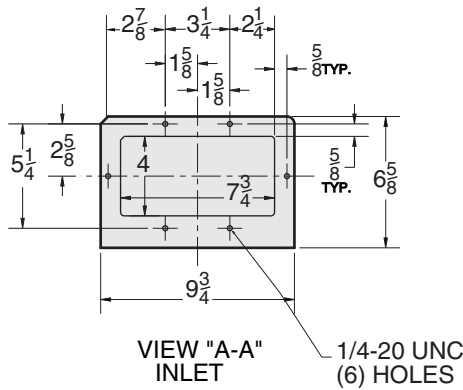
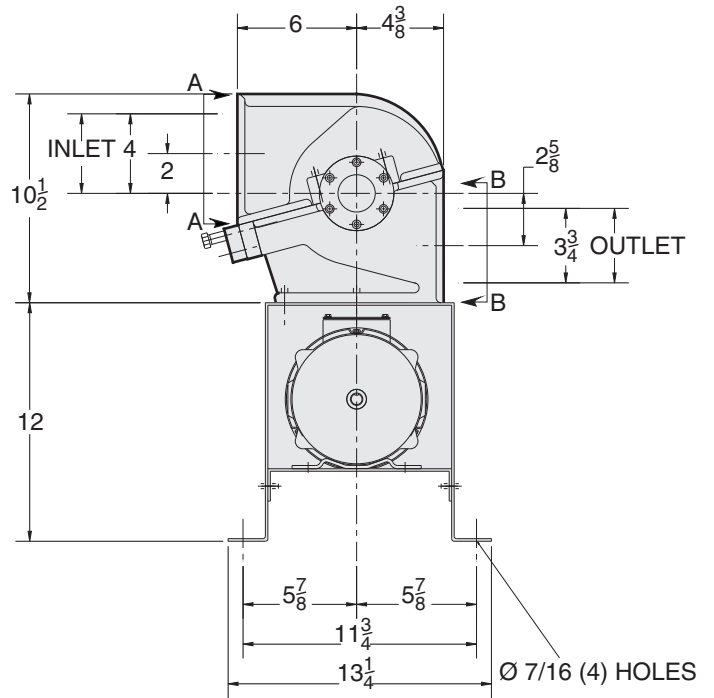
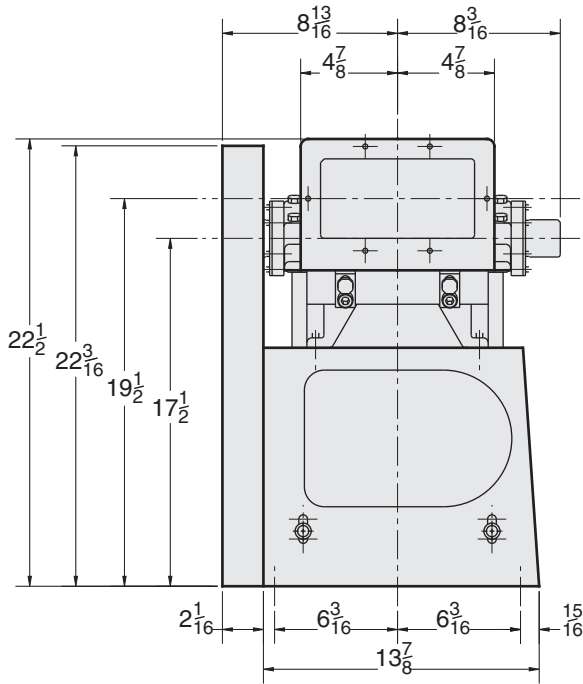
### FEATURES

- Fast, easy setup
- Multiple knives: HCHC, NEOR, carbide-edge
- Class "00" tapered roller bearings eliminate endplay and runout
- Rotor shaft supported by tapered roller bearings maintains rotor stability for long life
- Open-rotor design facilitates free passage of air and material
- Multiple mounting and drive arrangements
- Multiple flanged inlet positions, with flanged outlet
- 1 hp 3/60/460 volt TEFC motor is standard

### OPTIONS

- Oil mist unit
- Gear motor drive
- Safety disconnect switch
- Tandem rail mounting with BloApCo material-handling fan

# Dimensions



For more information about this model, see Bulletin 991

Revised 201403



**Blower Application Company**

N114 W 19125 Clinton Drive • P.O. Box 279 • Germantown, WI 53022-0279 • 800.959.0880 • 262.255.5580 • FAX: 262.255.3446 • bac@bloapco.com • bloapco.com