

TRIM CUTTER

Model 8-3

For more information about this model, see Bulletin 991.



VERSATILE IMPACT-CUT ACTION FROM PAPER TO METAL

MAINTAINS CUTTING EDGE WITHOUT IN-PLACE CYLINDRICAL GRINDING

Top Performance

Model 8-3 offers proven BloApCo design with new, innovative maintenance and operating features to achieve higher performance and economy. Driven by a 5-hp electric motor, the 8-3 cuts everything from paper to heavy non-ferrous metal as thick as 0.025". Varied knife profiles make short work of corrugated and fiber board, plastic film and foil laminates and pressure-sensitive stock trim up to 13" wide. Wear resistant T-15, NEOR and carbide knives can be arrayed to match slitting equipment while reducing multiple ribbons of trim, depending on weight and thickness, for pneumatic conveying, baling, disposal or recycling.

Precise Operation

Cutting with one stationary bed knife and two rotating knives, the 8-3 makes two cuts per revolution at speeds from 500 to 2,000 rpm and passes 4,500 cfm of air at a static pressure loss of 2.0" wg. Rotor-mounted set screws make the knives individually and easily adjustable for maximum precision, and easy to remove for sharpening with no need for "in-body" rotor grinding. Class "O" tapered roller bearings eliminate endplay and runout problems, while the open rotor design allows fast, free flow of cut material through the cutter housing.

Easy Installation

Installation of a Model 8-3 trim cutter is quick and simple: The cutter is factory-tested, tailored to your application, and shipped completely assembled and ready to run.

CAPABILITIES

Materials

Paper, film, heavy corrugated and fiber board, light metal foils

Trim Width max

13" (330.2 mm)

Caliper Range

3 mil to 250 mil
0.00300" to 0.25000"
0.0762 mm to 6.350 mm

Air Capacity

4,500 cfm (7,650 m³/hr)

Static Pressure Loss

2.0" wg @ 5,000 fpm (1,524 mpm) air velocity

Drive

V-Belt or Direct Drive

Cutting Action

Impact

Rotor speed

500 to 2,000 rpm

Weight

440 lbs. (200 kg) with motor

Dimensions

L x W x H: 27³/₄" x 22" x 34³/₄"
(704.9 mm x 558.8 mm x 882.7 mm)

FEATURES

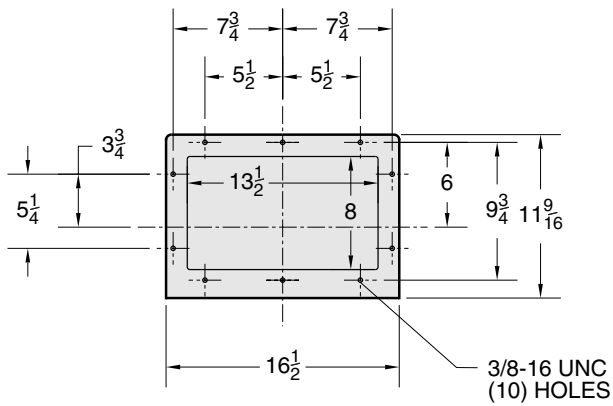
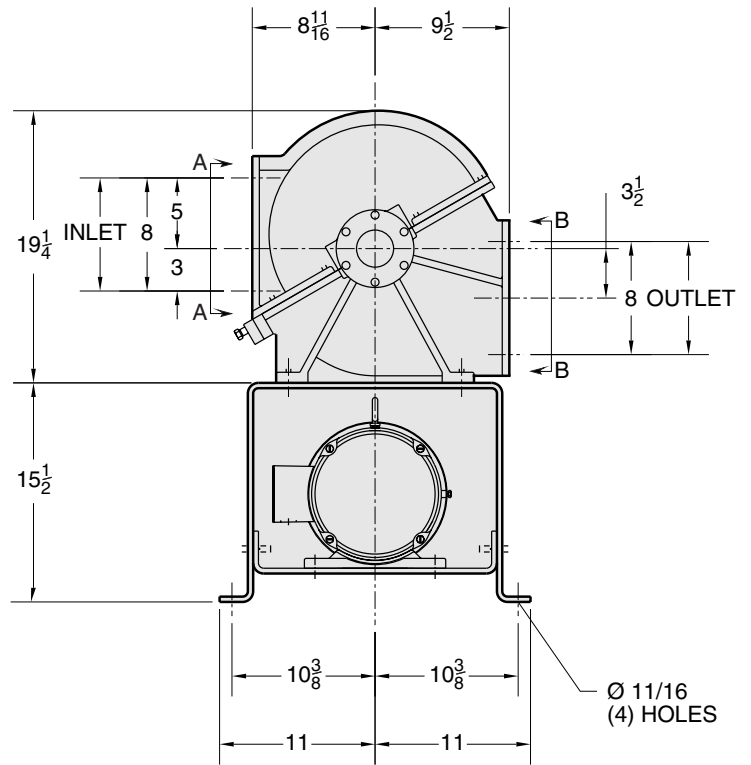
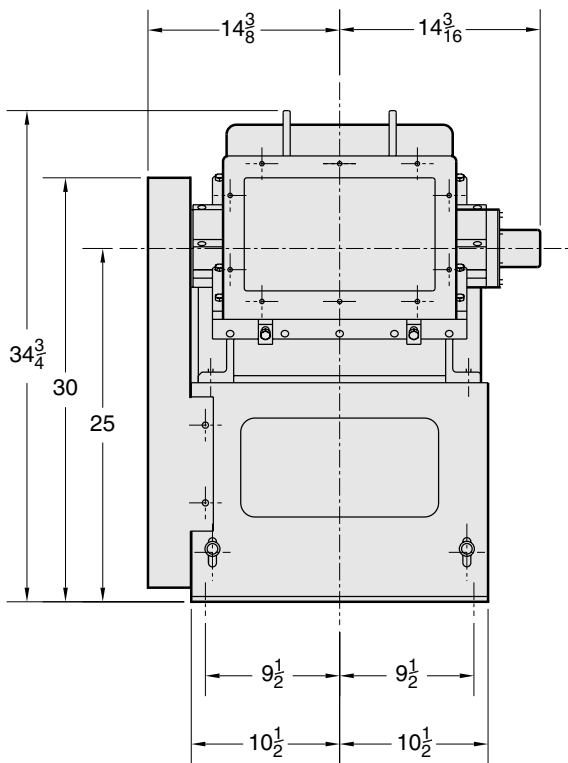
- Rotor-mounted adjustment screws, easy setup
- Multiple knives: T-15, NEOR
- Class "O" tapered roller bearings eliminate endplay and runout
- Rotor shaft supported by tapered roller bearings maintains rotor stability for long life
- Open-rotor design facilitates passage of air and material
- Multiple mounting and drive arrangements
- Multiple flanged inlet, slip-fit outlet positions
- 5 HP 3/60/460-volt TEFC motor is standard

OPTIONS

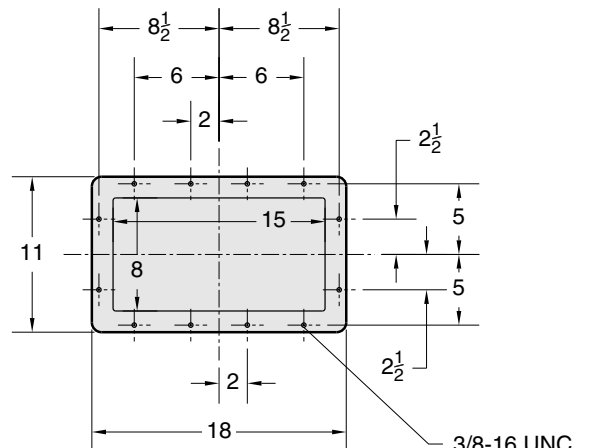
- Oil mist unit
- Gear motor drive
- Safety disconnect switch
- Tandem rail mounting with BloApCo material-handling fan

Dimensions

Model 8-3



VIEW "A-A"
INLET



VIEW "B-B"
OUTLET

For more information about this model, see Bulletin 991.

Revised 201510



BloApCo
Blower Application Company

N114 W 19125 Clinton Drive • P.O. Box 279 • Germantown, WI 53022-0279 • 800.959.0880 • 262.255.5580 • FAX: 262.255.3446 • bac@bloapco.com • bloapco.com