



TRIM HANDLING FAN

Model 15-4

For more information about other BloApCo Fan models, see Bulletin 011.

Key Features

Rotating outlet

- 360° at 45° increments.

Special fan wheel design

- All-continuous welded construction.
- Certified, dynamically balanced and stress-relieved.

Oversized chrome steel – centerless ground shaft

- Eliminates shaft deflection under heavy loading.
- Insures close tolerance between fan shaft, bearings and fan wheel.

Heavy-duty flanged bearings

- For long life.
- Heavy surge loading.

Unique shaft mount

- Allows placement of the bearings close to the wheel and drive pulley, reducing overhung bearing and shaft stress.

Exterior continuous welded fan housing

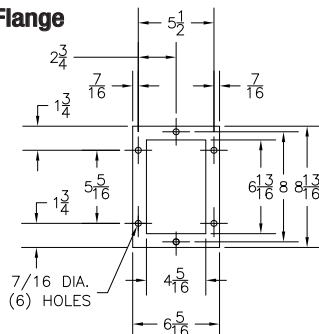
- Provides years of extended trouble-free operation.

Integral fan pedestal/motor mounting

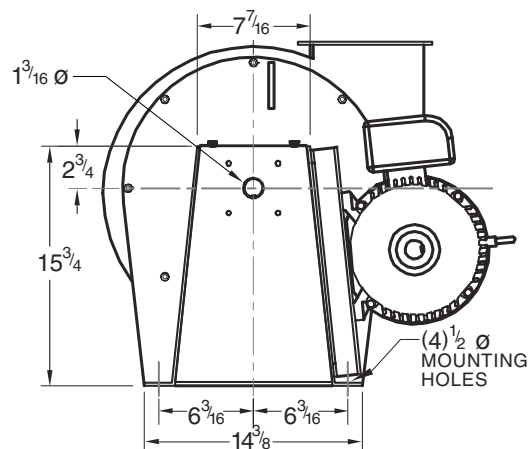
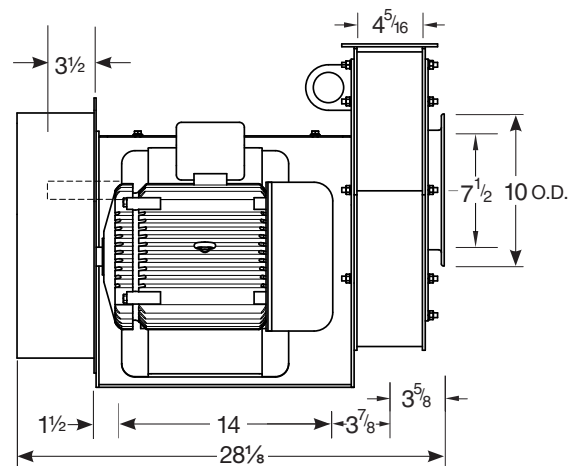
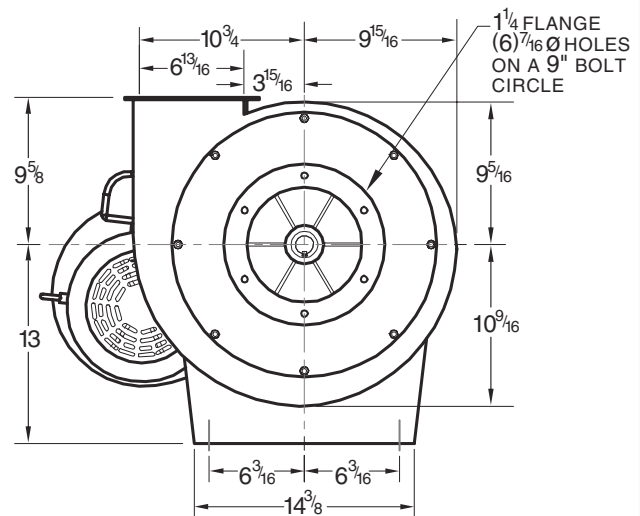
- Arrangement 9.

OSHA approved belt guard

Outlet Flange



All dimensions are submittal data only, and subject to change without notice. Do not use for construction unless BloApCo certified.

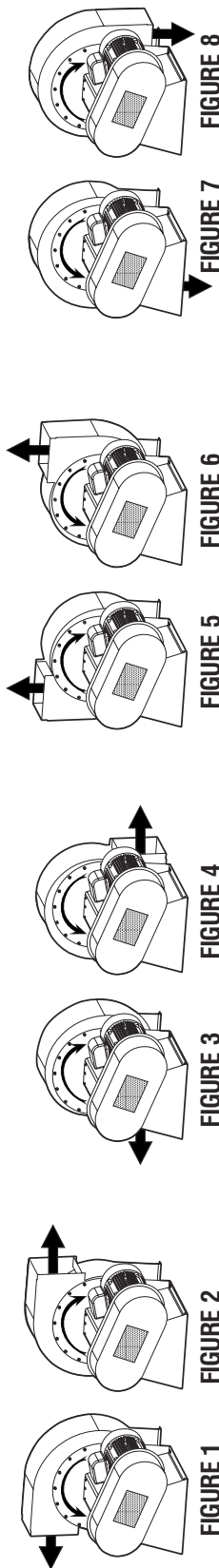
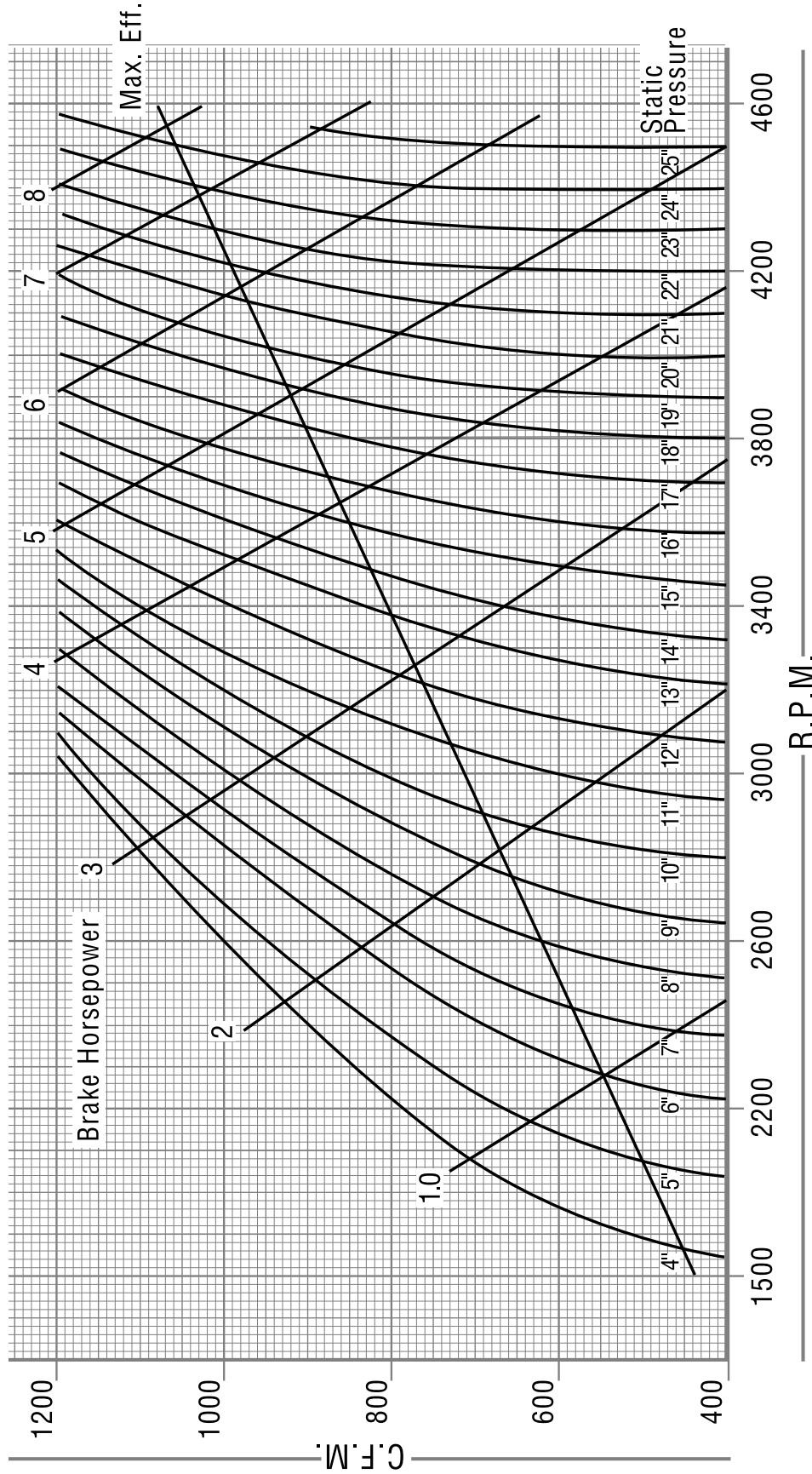


Model 15-4

Performance Curve

NOTE: This curve is extrapolated from tabular data of similar radial blade fans and is not based on actual performance tests of this particular fan.

Wheel Diameter: 15 1/4" Shaft Diameter: 1 3/16" Outlet Area: 0.197 Sq.Ft. Inlet Area: 0.306 Sq.Ft. Max RPM: 4600 rpm



For more information about other BloApCo Fan models, see Bulletin 011.



Blower Application Company