

# MATERIAL HANDLING FAN

## Model 25-2

For more information about other BloApCo Fan models, see Bulletin 011.

### Key Features

#### Oversized hub

#### Rotating outlet

- 360° at 22.5° increments.

#### Special fan wheel design

- All-continuous welded construction.
- Certified, dynamically balanced and stress-relieved.
- Non-clogging, with flared inlet, tapered blade and supporting back plate.

#### Special heavy-duty blades

- Angular blade construction adds efficiency.
- One-piece spider gusset adds strength.

#### Oversized chrome steel – centerless ground shaft

- Eliminates shaft deflection under heavy loading.
- Insures close tolerance between fan shaft, bearings and fan wheel.

#### Heavy-duty flanged bearings

- For long life.
- Heavy surge loading.

#### Unique shaft mount

- Allows placement of the bearings close to the wheel and drive pulley, reducing overhung bearing and shaft stress.

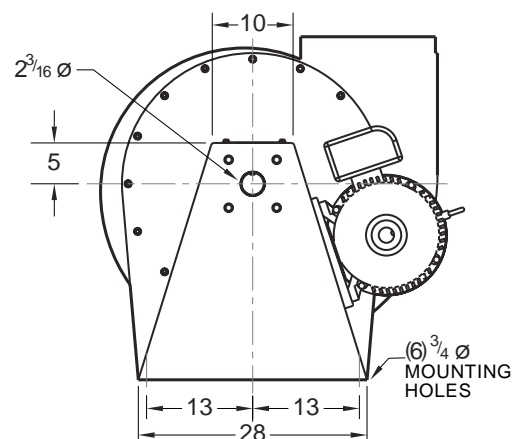
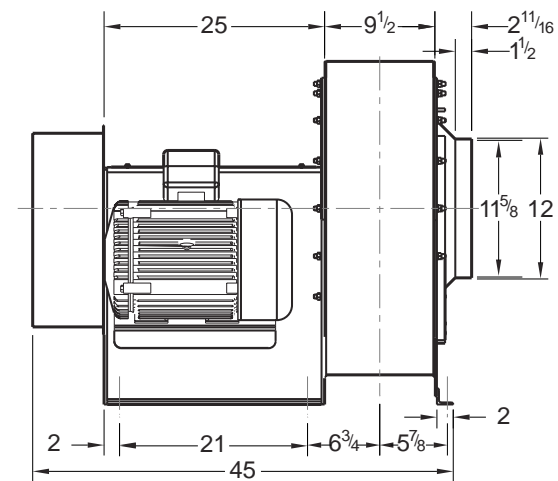
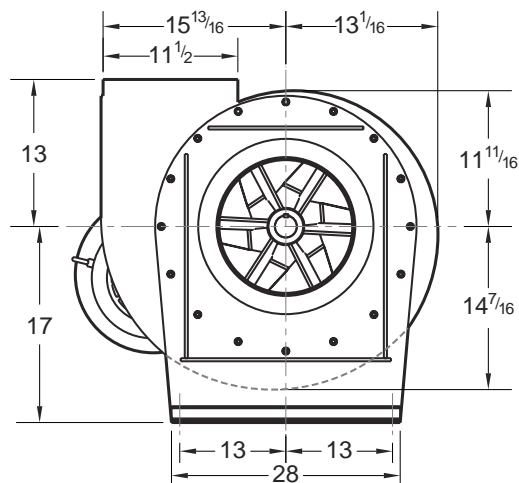
#### Exterior continuous welded fan housing

- Provides years of extended trouble-free operation.

#### Integral fan pedestal/motor mounting

- Arrangement 9.

#### OSHA approved belt guard



All dimensions are submittal data only, and subject to change without notice. Do not use for construction unless BloApCo certified.



**Blower Application Company**

N114 W 19125 Clinton Drive • P.O. Box 279 • Germantown, WI 53022-0279 • 800.959.0880 • 262.255.5580 • FAX: 262.255.3446 • bac@bloapco.com • bloapco.com

# Performance Curve

# Model 25-2

NOTE: This curve is extrapolated from tabular data of similar radial blade fans and is not based on actual performance tests of this particular fan.

Wheel Diameter: 19 1/2" | Shaft Diameter: 2 3/16" | Inlet Area: 0.723 Sq.Ft. | Outlet Area: 0.737 Sq.Ft. | Max RPM: 3800

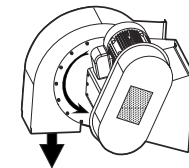
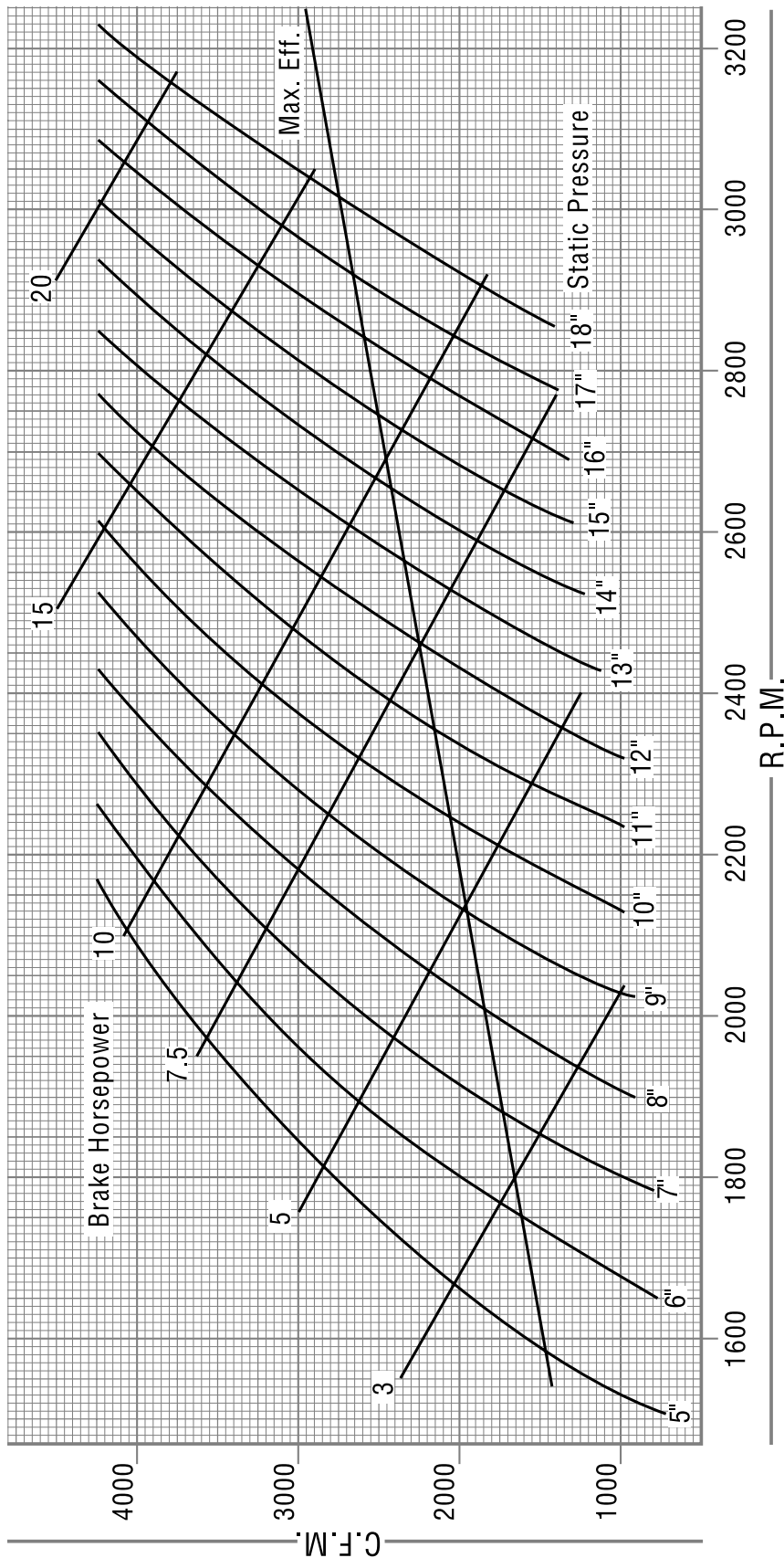


FIGURE 1

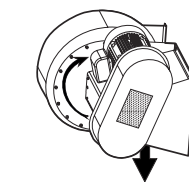


FIGURE 2

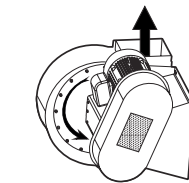


FIGURE 3

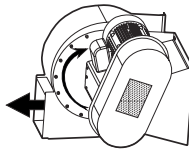


FIGURE 4

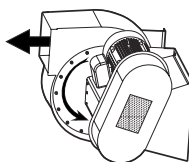


FIGURE 5

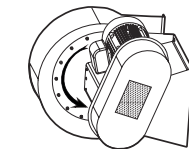


FIGURE 6

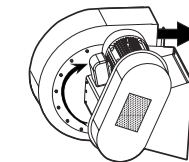


FIGURE 7

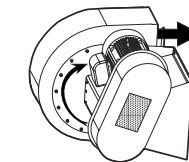


FIGURE 8